



Power Inductor EBP06 P Series Product Specifications

Document No.	S-10-12-110-01
Revision Date	2022/07/25
Page No.	1/10

Power Inductor — EBP06 P Series



Application

- Note PC power system.
- DC/DC converters.

Features

- 100% Lead (Pb)-Free and RoHS compliant.
- High current, low DCR, high efficiency.
- Operating temperature -40°C~+125°C(Including self - temperature rise).

Parts Number Explanation

Example:

EBP	0618	P	R47	M	T	W	Z
Product Type	Size (mm)	Application	Inductance (uH)	Tolerance	Package	Internal Code	Optional
Molding Power Inductor	0618 0624 0630 0650		R47 : 0.47uH R68 : 0.68uH	M : ±20%	T : Taping		Z : Default Code



Power Inductor EBP06 P Series Product Specifications

Document No.	S-10-12-110-01
Revision Date	2022/07/25
Page No.	2/10

■ Standard Electrical Specifications

Part No.	Inductance	DC Resistance	Saturation Current	Heating Rating Current
	L0 (μH)	DCR (mΩ)	Isat (A)	Irms (A)
	±20 %, 100 kHz, 1V	MAX.	TYP.	TYP.
EBP0618P-R22M-TWZ	0.22	3	26	16
EBP0618P-R33M-TWZ	0.33	5.8	22	14
EBP0618P-R47M-TWZ	0.47	7.4	18	12
EBP0618P-R68M-TWZ	0.68	11	17	10
EBP0618P-R82M-TWZ	0.82	14	15.5	8.5
EBP0618P-1R0M-TWZ	1.0	17	14	7
EBP0618P-1R5M-TWZ	1.5	25.2	13	6
EBP0618P-2R2M-TWZ	2.2	35	11	6
EBP0618P-3R3M-TWZ	3.3	46	9	5
EBP0618P-4R7M-TWZ	4.7	76	7	4
EBP0618P-6R8M-TWZ	6.8	104	5.5	3
EBP0618P-100M-TWZ	10	160	3.5	2.3
EBP0624P-R22M-TWZ	0.22	3.2	34	21
EBP0624P-R33M-TWZ	0.33	4.4	30	18
EBP0624P-R47M-TWZ	0.47	5.1	26	15
EBP0624P-R68M-TWZ	0.68	7.2	21	13
EBP0624P-R82M-TWZ	0.82	9.5	17	11
EBP0624P-1R0M-TWZ	1.0	13.5	16	10
EBP0624P-1R5M-TWZ	1.5	20	15	9
EBP0624P-2R2M-TWZ	2.2	28	14	7
EBP0624P-3R3M-TWZ	3.3	39	10	6
EBP0624P-4R7M-TWZ	4.7	50	9	5.5
EBP0624P-6R8M-TWZ	6.8	72	7	4
EBP0624P-100M-TWZ	10	101	5	3.2



Power Inductor EBP06 P Series Product Specifications

Document No.	S-10-12-110-01
Revision Date	2022/07/25
Page No.	3/10

Part No.	Inductance	DC Resistance	Saturation Current	Heating Rating Current
	L0 (μH)	DCR (mΩ)	Isat (A)	Irms (A)
	±20 %, 100 kHz, 1V	MAX.	TYP.	TYP.
EBP0630P-R10N-TWZ	0.1±30%	1.7	60	32.5
EBP0630P-R15M-TWZ	0.15	1.9	45	27
EBP0630P-R22M-TWZ	0.22	2.8	40	23
EBP0630P-R33M-TWZ	0.33	3.9	32.0	20.0
EBP0630P-R47M-TWZ	0.47	4.2	26.0	17.5
EBP0630P-R56M-TWZ	0.56	5.0	25.5	16.5
EBP0630P-R68M-TWZ	0.68	5.5	25.0	15.5
EBP0630P-R82M-TWZ	0.82	8	24.0	13.0
EBP0630P-1R0M-TWZ	1.0	10	22.0	11.0
EBP0630P-1R5M-TWZ	1.5	15.0	18.0	9.0
EBP0630P-2R2M-TWZ	2.2	20.0	14.0	8.0
EBP0630P-3R3M-TWZ	3.3	30	13.5	6.0
EBP0630P-4R7M-TWZ	4.7	40	10.0	5.5
EBP0630P-5R6M-TWZ	5.6	48	9.0	5.0
EBP0630P-6R8M-TWZ	6.8	60	8.0	4.5
EBP0630P-8R2M-TWZ	8.2	68.0	7.5	4.0
EBP0630P-100M-TWZ	10	85	6.0	3.5
EBP0630P-150M-TWZ	15	123	4	3
EBP0630P-220M-TWZ	22	190	3.5	2
EBP0630P-330M-TWZ	33	240	2.5	2
EBP0630P-470M-TWZ	47	363	2	1.75



Power Inductor EBP06 P Series Product Specifications

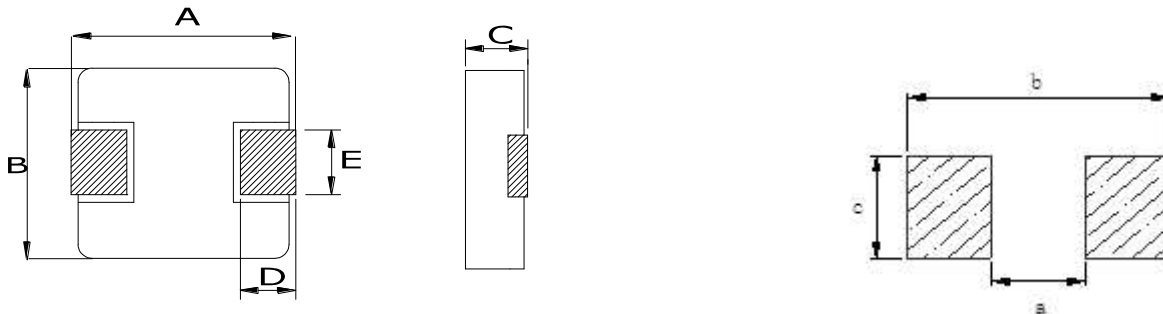
Document No.	S-10-12-110-01
Revision Date	2022/07/25
Page No.	4/10

Part No.	Inductance	DC Resistance	Saturation Current	Heating Rating Current
	L0 (μ H)	DCR (m Ω)	Isat (A)	Irms (A)
	$\pm 20\%$, 100 kHz, 1V	MAX.	TYP.	TYP.
EBP0650P-R22M-TWZ	0.22	1.9	35	25
EBP0650P-R33M-TWZ	0.33	3.0	32	25
EBP0650P-R47M-TWZ	0.47	3.9	30	22
EBP0650P-R68M-TWZ	0.68	4.5	24	18
EBP0650P-1R0M-TWZ	1.0	6.5	20	15
EBP0650P-1R5M-TWZ	1.5	9.0	16.5	12
EBP0650P-2R2M-TWZ	2.2	12	14	10
EBP0650P-3R3M-TWZ	3.3	20.9	12	8
EBP0650P-4R7M-TWZ	4.7	30.8	10	6.5
EBP0650P-5R6M-TWZ	5.6	49	9	6
EBP0650P-6R8M-TWZ	6.8	51.5	8.5	5.5
EBP0650P-8R2M-TWZ	8.2	63	8	5
EBP0650P-100M-TWZ	10	69	7.5	4
EBP0650P-150M-TWZ	15	92	6	3.5
EBP0650P-220M-TWZ	22	170	5.5	2.5
EBP0650P-330M-TWZ	33	200	3.5	2

Notes:

1. All test data is referenced to 25 °C ambient
2. Operating temperature range - 40 °C to + 125 °C
3. Irms (A):DC current (A) that will cause an approximate ΔT of 40 °C(reference ambient temperature is 25 °C)
4. Isat(A):DC current (A) that will cause L0 to drop approximately 30 %
5. The part temperature (ambient + temp rise) should not exceed 125 °C under worst case operating conditions. Circuit design, component placement, PWB trace size and thickness, airflow and other cooling provisions all affect the part temperature. Part temperature should be verified in the end application.

■ Dimensions



Recommend Land Pattern

Unit: mm

Type	A	B	C	D	E	a typ	b typ	c typ
EBP0618P	7.3±0.3	6.6±0.3	1.6±0.2	1.6±0.3	3.0±0.3	3.7	8.4	3.5
EBP0624P	7.3±0.3	6.6±0.3	2.2±0.2	1.6±0.3	3.0±0.3	3.7	8.4	3.5
EBP0630P	7.3±0.3	6.6±0.3	2.8±0.2	1.6±0.3	3.0±0.3	3.7	8.4	3.5
EBP0650P	7.3±0.3	6.6±0.3	4.8±0.2	1.6±0.3	3.0±0.3	3.7	8.4	3.5

■ Marking

- The inductor is marked with a 3-digit code

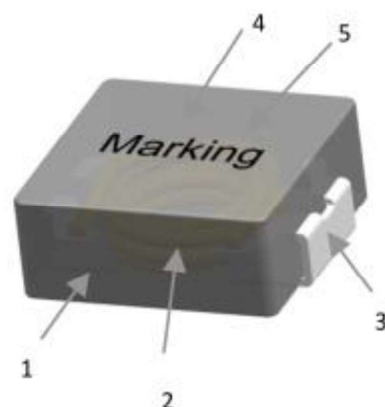
Nominal Inductance	
Example	Nominal Value
1R0	1.0 μ H
100	10 μ H
101	100 μ H



Note : Using Ink for marking

■ Structure and Components

No.	Components	Material
1	CORE	Carbonyl Powder
2	WIRE	Polyester Wire or equivalent.
3	Clip	100% Pb free solder (Ni + Sn---Plating)
4	paint	Epoxy resin
5	Ink	Halogen-free ketone





Power Inductor EBP06 P Series Product Specifications

Document No.	S-10-12-110-01
Revision Date	2022/07/25
Page No.	6/10

● Reliability test and requirement

Mechanical Reliability		
Item	Specification and Requirement	Test Method
Solderability	1. No case deformation or change in appearance 2. New solder coverage More than 95%	1. Preheat: $155^{\circ}\text{C} \pm 5^{\circ}\text{C}$, $60\text{S} \pm 2\text{S}$ 2. Tin: lead-free. 3. Temperature: $240^{\circ}\text{C} \pm 5^{\circ}\text{C}$, flux $3.0\text{S} \pm 0.5\text{S}$.
Mechanical shock	1. No case deformation or change in appearance 2. $\Delta L/L_0 \leq \pm 10\%$	1. Acceleration: 100G 2. Pulse time: 6ms 3. 3 times in each positive and negative direction of 3 mutual perpendicular directions
Mechanical vibration	1. No case deformation or change in appearance 2. $\Delta L/L_0 \leq \pm 10\%$	1. Reflow: 2times 2. Frequency: $10\text{HZ} \sim 55\text{HZ} \sim 10\text{HZ}$, 20 Min/Cycles 3. Amplitude: 1.52 mm 4. Directions: X,Y,Z 5. Time: 12 cycle / direction
Endurance Reliability		
Item	Specification and Requirement	Test Method
Thermal Shock	Inductance change: Within $\pm 10\%$ Without distinct damage in appearance	1. First -40°C for 30 minutes, last 125°C for 30 minutes as 1 cycle. Go through 1000 cycles. 2. Max transfer time is 3 minutes. 3. Measured at room temperature after placing for 24 ± 2 hours
Humidity Resistance	Inductance change: Within $\pm 10\%$ Without distinct damage in appearance	1. Reflow 2 times, 2. 85°C , 85%RH, 1000 hours 3. Measured at room temperature after placing for 24 ± 2 hours
Low temperature storage	Inductance change: Within $\pm 10\%$ Without distinct damage in appearance	1. Temperature: $-40 \pm 2^{\circ}\text{C}$ 2. Time: 1000 hours 3. Measured at room temperature after placing for 24 ± 2 hours
High temperature storage	Inductance change: Within $\pm 10\%$ Without distinct damage in appearance	1. Temperature: $+125 \pm 2^{\circ}\text{C}$ 2. Time: 1000 hours 3. Measured at room temperature after placing for 24 ± 2 hours



Power Inductor EBP06 P Series Product Specifications

Document No.	S-10-12-110-01
Revision Date	2022/07/25
Page No.	7/10

Recommended Soldering Technologies:

(1) Re-flowing Profile

Preheat condition: 150 ~200°C/60~180sec.

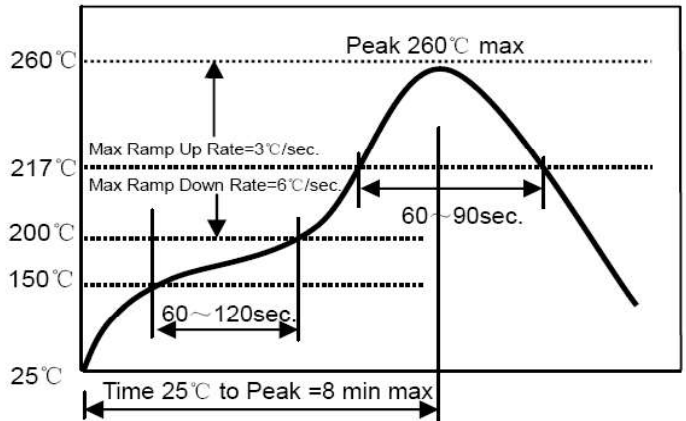
Allowed time above 217°C: 80~120sec.

Max temp: 260°C

Max time at max temp: 10 sec.

Solder paste: Sn/3.0Ag/0.5Cu

Allowed Reflow time: 2x max



(2) Iron Soldering Profile

Iron soldering power: Max. 30W

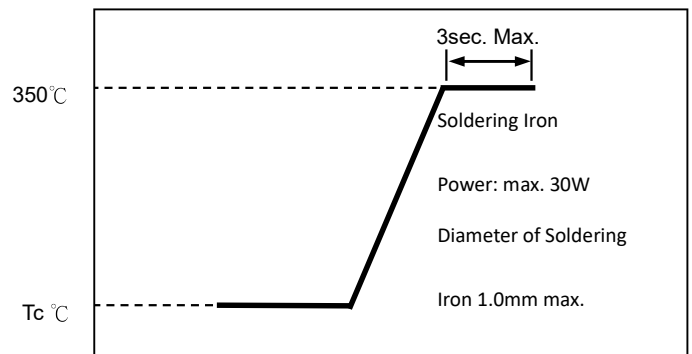
Pre-heating: 150°C/60sec.

Soldering Tip temperature: 350°C Max.

Soldering time: 3sec. Max.

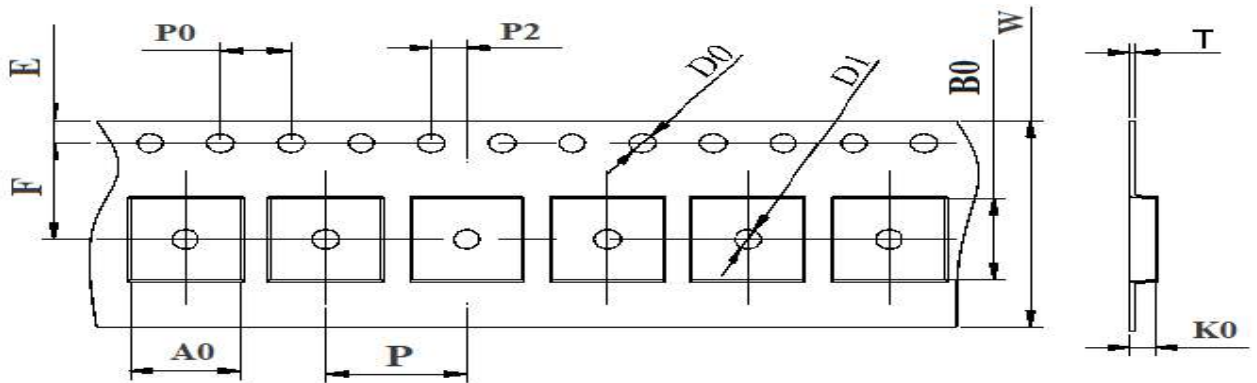
Solder paste: Sn/3.0Ag/0.5Cu

Max.1 times for iron soldering



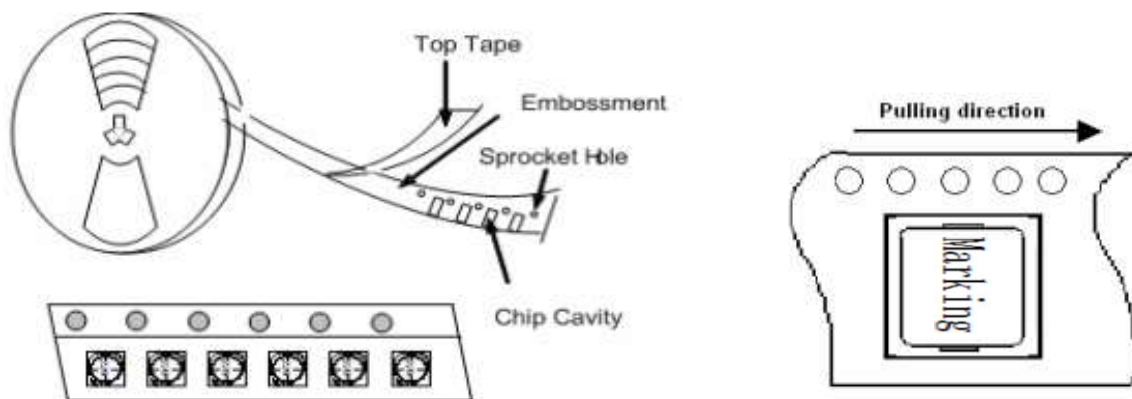
■ Packaging Information

(1) Tape Packaging Dimensions (Unit : mm)



Type	Tape dimensions (mm)											
	W	P	P0	P2	D0	D1	T	A0	B0	K0	E	F
EBP0618P	16±0.3	12±0.1	4±0.1	2±0.1	1.5±0.1	1.5±0.1	0.35±0.05	6.9±0.1	7.5±0.1	2.1±0.1	1.75±0.1	7.5±0.1
EBP0624P	16±0.3	12±0.1	4±0.1	2±0.1	1.5±0.1	1.5±0.1	0.35±0.05	6.9±0.1	7.5±0.1	2.7±0.1	1.75±0.1	7.5±0.1
EBP0630P	16±0.3	12±0.1	4±0.1	2±0.1	1.5±0.1	1.5±0.1	0.35±0.05	6.9±0.1	7.5±0.1	3.3±0.1	1.75±0.1	7.5±0.1
EBP0650P	16±0.3	12±0.1	4±0.1	2±0.1	1.5±0.1	1.5±0.1	0.35±0.05	6.9±0.1	7.5±0.1	5.4±0.1	1.75±0.1	7.5±0.1

(2) Taping Drawings (Unit : mm)

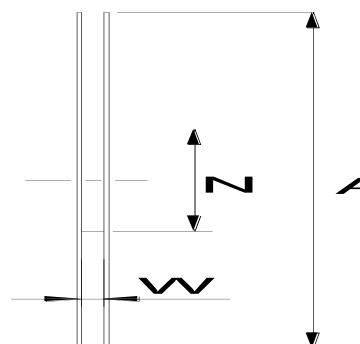
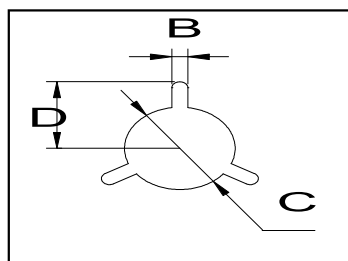
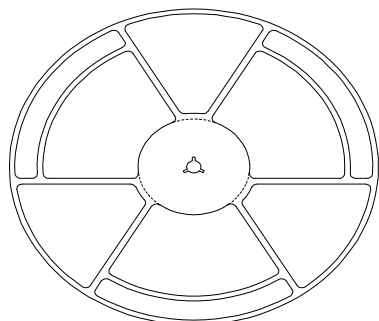




Power Inductor EBP06 P Series Product Specifications

Document No.	S-10-12-110-01
Revision Date	2022/07/25
Page No.	9/10

(3) Reel Dimensions (Unit : mm)



Type	Reel dimensions (mm)					
	A	W	N	B	C	D
EBP0618P	330 +2.0	16.8 ±0.2	97 ±0.5	2.2 +0.5	13.0 ±0.2	10.75 ±0.25
EBP0624P	330+2.0	16.8±0.2	97±0.5	2.2+0.5	13.0±0.2	10.75±0.25
EBP0630P	330+2.0	16.8±0.2	97±0.5	2.2+0.5	13.0±0.2	10.75±0.25
EBP0650P	330+2.0	16.8±0.2	97±0.5	2.2+0.5	13.0±0.2	10.75±0.25

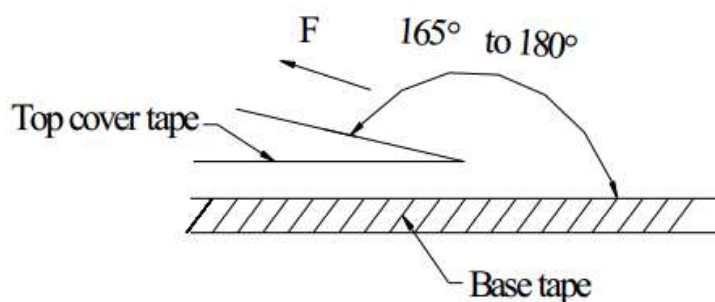
(4) Packaging Quantity(PCS)

Type	Standard Quantity		
	Reel	Inner box	Carton box
EBP0618P	2,000 pcs / reel	3Reel / box (6,000 pcs)	4 Middle boxes, (24,000 pcs)
EBP0624P	1,500 pcs / reel	3Reel / box (4,500 pcs)	4 Middle boxes, (18,000 pcs)
EBP0630P	1,500 pcs / reel	3Reel / box (4,500 pcs)	4 Middle boxes, (18,000 pcs)
EBP0650P	1,000 pcs / reel	3Reel / box (3,000 pcs)	4 Middle boxes, (12,000 pcs)

(5) Peel force of top cover tape

The peel speed shall be about 300mm/minute

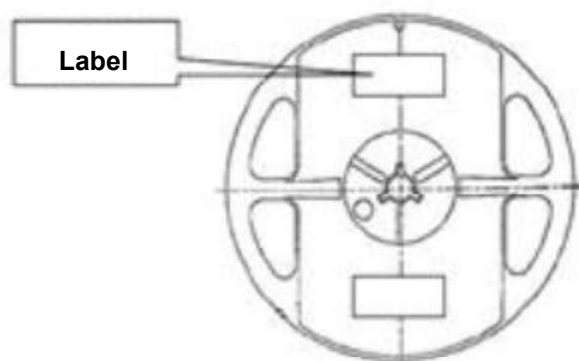
The peel force of top cover tape shall be between 0.1 to 1.3 N



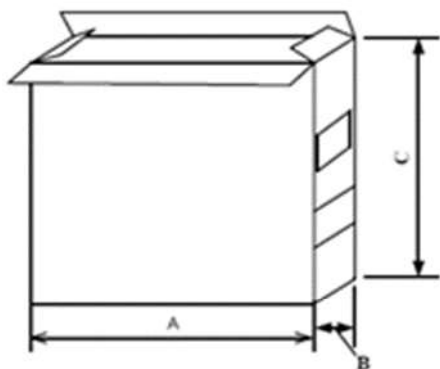
(6) Reel Label

- Label on the reel
 - Everohms part Number.
 - Lot Number
 - Quantity
 - Description

- Shipping Label
 - Customer's part Number
 - Manufacturer's part Number
 - Quantity
 - date code

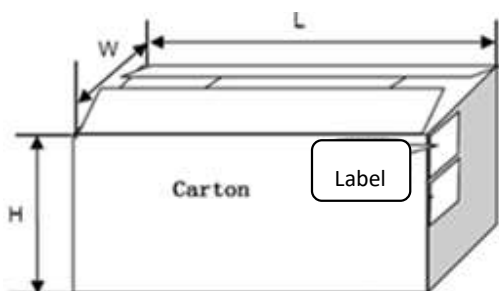


(7) Inner Box



Packaging Type	A (mm)	B (mm)	C (mm)
Inner box	335	70	340

(8) Carton



Packaging Type	L (mm)	W (mm)	H (mm)
Carton	360	360	360