



Power Inductor ECDH0129F Series Product Specifications

Document No.	S-10-12-117-01
Revision Date	2022 / 08 / 04
Page No.	1/8

Power Inductor — ECDH0129F Series



Parts Number Explanation

Example:

ECD	H0129	F	R47	M	T	W	Z
Product Type	Size (mm)	Application	Inductance (uH)	Tolerance	Package	Internal Code	Optional
Wire-wound Power Inductor	H0129		R47 : 0.47uH R68 : 0.68uH	N : ±30% M : ±20% K : ±10%	T : Taping		Z : Default Code



Power Inductor ECDH0129F Series Product Specifications

Document No.	S-10-12-117-01
Revision Date	2022 / 08 / 04
Page No.	2/8

■ Standard Electrical Specifications

Part No.	Inductance	DCR (mΩ)	DCR (mΩ)	Isat (A)
	L (μH)	MAX	TYP	$\Delta L/L \leq 30\%$
ECDH0129F-1R0N-TWZ	1.0	5.5	4	19.90
ECDH0129F-1R8N-TWZ	1.8	6.5	5.8	13.40
ECDH0129F-2R5N-TWZ	2.5	8.00	6.8	12.16
ECDH0129F-3R5N-TWZ	3.5	9.70	7.7	12.00
ECDH0129F-4R7N-TWZ	4.7	11.0	8.9	11.00
ECDH0129F-5R8N-TWZ	5.8	11.3	9.9	10.50
ECDH0129F-6R8M-TWZ	6.8	11.5	9.9	10.00
ECDH0129F-7R5M-TWZ	7.5	14.0	11	8.48
ECDH0129F-100M-TWZ	10	17.0	13.9	8.20
ECDH0129F-120M-TWZ	12	18.5	15.2	7.04
ECDH0129F-150M-TWZ	15	25.0	19.8	5.80
ECDH0129F-220M-TWZ	22	29.0	26	5.12
ECDH0129F-330M-TWZ	33	53.0	43.5	4.25
ECDH0129F-470M-TWZ	47	63.0	55	3.60
ECDH0129F-560M-TWZ	56	68.0	58	2.85
ECDH0129F-680M-TWZ	68	93.0	76	2.76
ECDH0129F-820M-TWZ	82	99.0	86	2.62
ECDH0129F-101M-TWZ	100	126	93	2.31
ECDH0129F-121M-TWZ	120	154	126	2.05
ECDH0129F-151M-TWZ	150	174	145	1.80
ECDH0129F-181M-TWZ	180	191	160	1.66
ECDH0129F-221M-TWZ	220	246	228	1.64
ECDH0129F-331M-TWZ	330	386	333	1.28
ECDH0129F-471M-TWZ	470	471	440	1.06
ECDH0129F-561M-TWZ	560	650	560	1.01
ECDH0129F-681M-TWZ	680	730	650	0.83
ECDH0129F-821M-TWZ	820	824	710	0.81
ECDH0129F-102M-TWZ	1000	1220	860	0.70
ECDH0129F-122M-TWZ	1200	1330	1050	0.64



Power Inductor ECDH0129F Series Product Specifications

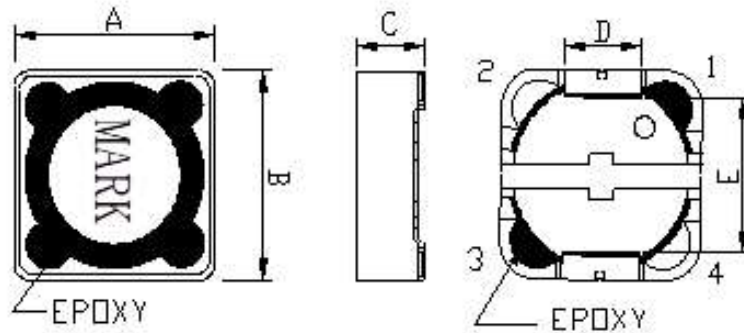
Document No.	S-10-12-117-01
Revision Date	2022 / 08 / 04
Page No.	3/8

Part No.	Inductance	DCR (mΩ)	DCR (mΩ)	Isat (A)
	L (μH)	MAX	TYP	$\Delta L/L \leq 30\%$
ECDH0129F-152M-TWZ	1500	1990	1470	0.56
ECDH0129F-182M-TWZ	1800	2180	1750	0.48
ECDH0129F-222M-TWZ	2200	2580	2160	0.43
ECDH0129F-332M-TWZ	3300	4600	3180	0.30

Notes :

1. Test Frequency : 100KHZ/0.25V
2. Tolerance : N: $\pm 30\%$; M: $\pm 20\%$; K: $\pm 10\%$

■ Dimensions



Note : Using Ink for marking

Unit: mm

Type	A	B	C	D	E
ECD0129HF	12.5 max.	12.5 max.	10.0 max.	5.0 Ref.	7.6 Ref.

■ Marking

- The inductor is marked with a 3-digit code

Nominal Inductance	
Example	Nominal Value
1R0	1.0 μH
100	10 μH
101	100 μH



**Power Inductor ECDH0129F Series
Product Specifications**

Document No.	S-10-12-117-01
Revision Date	2022 / 08 / 04
Page No.	4/8

● **Reliability test and requirement**

Mechanical		
Item	Specification and Requirement	Test Method
Substrate bending	$\Delta L/L_0 \leq \pm 5\%$ There shall be no mechanical damage or electrical damage.	<p>The sample shall be soldered onto the printed circuit board in figure 1 and a load applied until the figure in the arrow direction is made approximately 3 mm. (keep time 30 seconds).</p> <p style="text-align: center;">F(Pressurization)</p> <p style="text-align: center;">PRESSURE ROD figure-1</p>
Vibration	$\Delta L/L_0 \leq \pm 5\%$ There shall be no mechanical damage.	<p>The sample shall be soldered onto the printed circuit board and when a vibration having an amplitude of 1.52mm and a frequency of from 10 to 55Hz/1 minute repeated. Should be applied to the 3 directions (X, Y, Z) for 2 hours each. (A total of 6 hours)</p>
Solderability	New solder More than 90%.	<p>Flux (rosin, isopropyl alcohol {JIS-K-1522}) shall be coated over the whole of the sample before hard, the sample shall then be preheated for about 2 minutes in a temperature of 130~150°C and after it has been immersed to a depth 0.5mm below for 3±0.2 seconds fully in molten solder M705 with a temperature of 245±2°C.</p> <p>More than 90% of the electrode sections shall be covered with new solder smoothly when the sample is taken out of the solder bath.</p>



Power Inductor ECDH0129F Series Product Specifications

Document No.	S-10-12-117-01
Revision Date	2022 / 08 / 04
Page No.	5/8

Mechanical

Item	Specification and Requirement	Test Method
Resistance to soldering heat. (reflow soldering)	There shall be no damage or problems.	<p style="text-align: center;">Temperature profile of reflow soldering</p> <p style="text-align: center;">The specimen shall be passed through the reflow oven with the condition shown in the above profile for 1 time. The specimen shall be stored at standard atmospheric conditions for 1 hour, after which the measurement shall be made.</p>

ELECTRICAL

Item	Specification and Requirement	Test Method
Insulation resistance	There shall be no other damage or problems.	DC 100V voltage shall be applied across this sample of top surface and the terminal. The insulation resistance shall be more than $1 \times 10^8 \Omega$.
Dielectric withstand voltage	There shall be no other damage or problems.	AC 100V voltage shall be applied for 1minute across set the top surface and the terminal of this sample.
Temperature characteristics	$\Delta L / L 20^\circ\text{C} \leq \pm 10\%$ $0 \sim 2000 \text{ ppm}/^\circ\text{C}$	The test shall be performed after the sample has stabilized in an ambient temperature of -40 to $+125^\circ\text{C}$, and the value calculated based on the value applicable in a normal temperature and normal humidity shall be $\Delta L / L 20^\circ\text{C} \leq \pm 10\%$.



**Power Inductor ECDH0129F Series
Product Specifications**

Document No.	S-10-12-117-01
Revision Date	2022 / 08 / 04
Page No.	6/8

ENVIROMENT CHARACTERISTICS

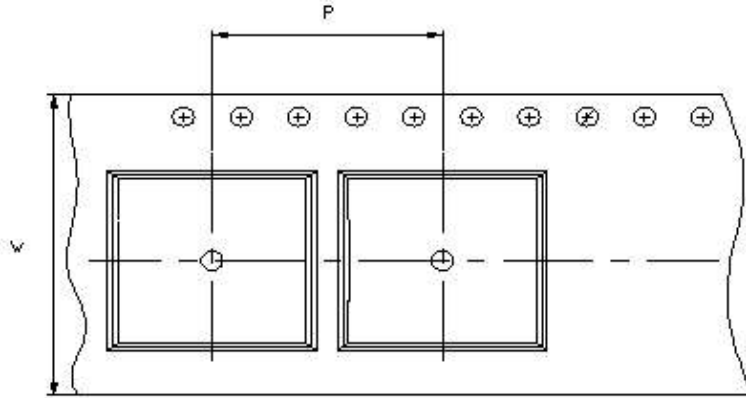
Item	Specification and Requirement	Test Method															
High temperature storage.	$\Delta L/Lo \leq \pm 5\%$ There shall be no mechanical damage.	The sample shall be left for 500 hours in an atmosphere with a temperature of $125 \pm 2^\circ\text{C}$ and a normal humidity. Upon completion of the measurement shall be made after the sample has been left in a normal temperature and normal humidity for 1 hour.															
Low temperature storage.	$\Delta L/Lo \leq \pm 5\%$ There shall be no mechanical damage.	The sample shall be left for 500 hours in an atmosphere with a temperature of $-40 \pm 3^\circ\text{C}$. Upon completion of the test, the measurement shall be made after the sample has been left in a normal temperature and normal humidity for 1 hour.															
Change of temperature.	$\Delta L/Lo \leq \pm 5\%$ There shall be no other damage of problems.	The sample shall be subject to 5 continuous cycles, such as shown in the table 2 below and then it shall be subjected to standard atmospheric conditions for 1 hour, after which measurement shall be made. Table 2 <table border="1"> <thead> <tr> <th>Step.</th> <th>Temperature</th> <th>Duration</th> </tr> </thead> <tbody> <tr> <td>1</td> <td>$-40 \pm 3^\circ\text{C}$ (Thermostat No.1)</td> <td>10 min.</td> </tr> <tr> <td>2</td> <td>Standard atmospheric No.1→No.2</td> <td>5 sec. or less</td> </tr> <tr> <td>3</td> <td>$125 \pm 2^\circ\text{C}$ (Thermostat No.2)</td> <td>30 min.</td> </tr> <tr> <td>4</td> <td>Standard atmospheric No.2→No.1</td> <td>5 sec. or less</td> </tr> </tbody> </table>	Step.	Temperature	Duration	1	$-40 \pm 3^\circ\text{C}$ (Thermostat No.1)	10 min.	2	Standard atmospheric No.1→No.2	5 sec. or less	3	$125 \pm 2^\circ\text{C}$ (Thermostat No.2)	30 min.	4	Standard atmospheric No.2→No.1	5 sec. or less
Step.	Temperature	Duration															
1	$-40 \pm 3^\circ\text{C}$ (Thermostat No.1)	10 min.															
2	Standard atmospheric No.1→No.2	5 sec. or less															
3	$125 \pm 2^\circ\text{C}$ (Thermostat No.2)	30 min.															
4	Standard atmospheric No.2→No.1	5 sec. or less															
Moisture storage.	$\Delta L/Lo \leq \pm 5\%$ There shall be no mechanical damage.	The sample shall be left for 500 hours in a temperature of $40 \pm 2^\circ\text{C}$ and a humidity(RH) of 90~95%. Upon completion of the test, the measurement shall be made after the sample has been left in a normal temperature and normal humidity more than 1 hour.															

Test conditions :

The sample shall be reflow soldered onto the printed circuit board in every test.

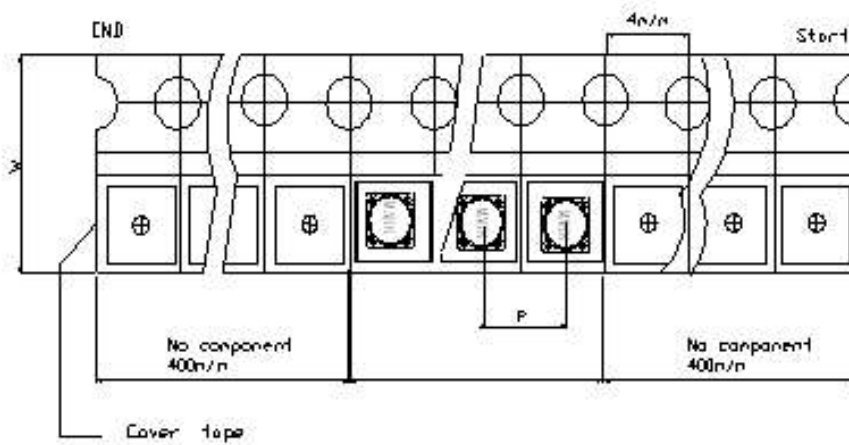
■ Packaging Information

(1) CARRIER TAPE DIMENSIONS (Unit : mm)



W	24
P	16

(2) TAPING DIMENSIONS (Unit : mm)



Note:

After the product is ready, the outermost layer of the reel is 400mmMIN and the innermost layer is 400mmMIN.



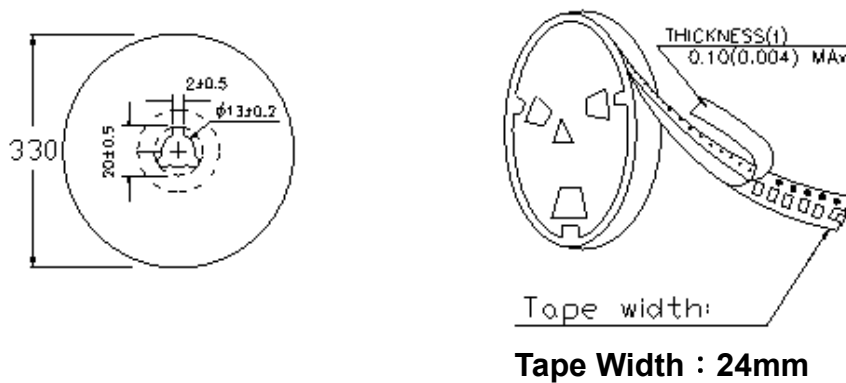
Power Inductor ECDH0129F Series Product Specifications

Document No. S-10-12-117-01

Revision Date 2022 / 08 / 04

Page No. 8/8

(3) REEL DIMENSIONS (Unit : mm)



(4) Quantity (PCS)

Type	pcs / Reel
ECDH0129F	350